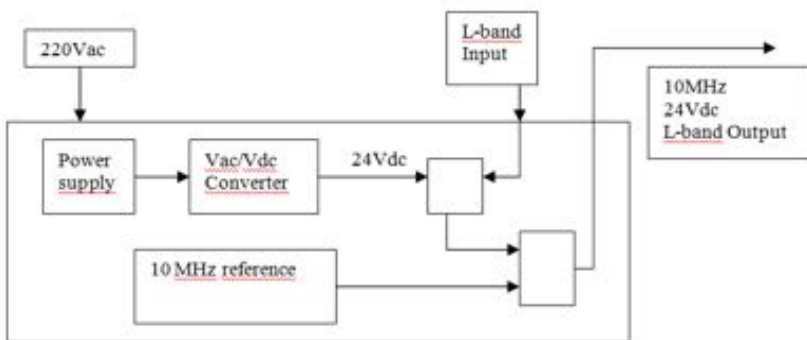




10 MHZ REFERENCE

Model Type: **REF0010 Series**

This equipment provides the Vdc power supply and 10 MHz reference for the Outdoor BUC and the L band signal on the output coaxial cable for the LNB.





TECHNICAL SPECIFICATION

FREQUENCY REFERENCE

Frequency	13.75 ÷ 14.50 GHz
-----------	-------------------

FREQUENCY STABILITY

Day	2 x 10 ⁻¹⁰ @ operating temperature
Month	5 x 10 ⁻⁹ @ operating temperature
Year	3 x 10 ⁻⁸ @ operating temperature
Versus load changes	< 1 x 10 ⁻¹¹

PHASE NOISE

1 Hz	-95 dBc/Hz
10 Hz	-125 dBc/Hz
100 Hz	-135 dBc/Hz
1 KHz	-145 dBc/Hz
Output level	+3dBm @ Output connector
Waveform	Sine

POWER SUPPLY

Primary Supply	220 Vac
Output Voltage	24 Vcc
Output Current Capability	3 A

L BAND INTERFACE

Input / Output Impedance	50 Ohm
Input / Output Return Loss	≥ 20 dB

RF INTERFACE

Input Connector	F Type (female)
Output Connector	N Type (female)

ENVIROMENTAL

Temperature	-20°C to +70°C
Humidity	98% max

MECHANICAL

Size	1 RU (19" standard Rack)
Weight	2 Kg