



## SWITCH CONTROL UNIT

Model Type: LGC0021 series

The **LGC0021 series** (Switch Control Unit - SCU) is designed to **control and manage N° 12 RF switches**.

The status of the switches is reported on the display main screen; a sliding menu allows the management and configuration of the unit. In the setup menu each switch can be driven to the position 1 or 2.

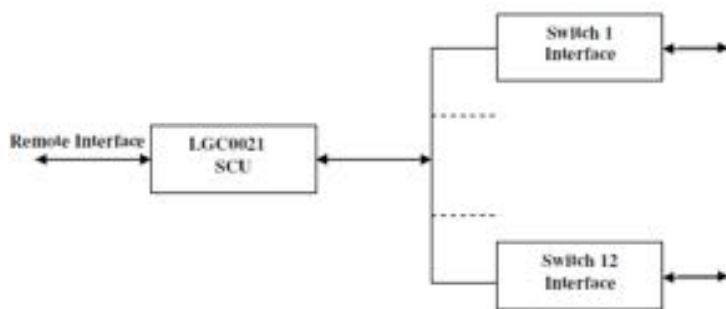
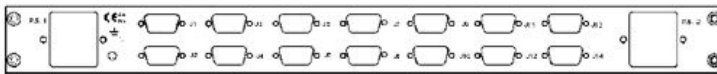
Trough the run configuration command, the unit activates the command. The device is controlled by a remote connection RS232/22 selectable from menu. **The device has two connectors on the posterior panel for connection to the electrical net.** Trough these connectors two identical power suppliers are supplied on redundancy configuration. In output it is necessary to supply a sinusoidal alternative voltage with the following characteristics:

**Voltage:** 230 V AC mono phase;

**Frequency:** 50 Hz

**Other electrical characteristics are listed below:**

- Controlled switches up to 12
- Commutation pulse 300 ms, 28 V DC, 3 A max
- Power Requirement 90/264 V AC, 50 W, 50/60 Hz



ISO 9001:2015



**ITALSPAZIO**

Viale Vittorio Emanuele Orlando, 7 - 95037 San Giovanni La Punta (CT)  
+39 095 7511521 - [italspazio.com](http://italspazio.com)